

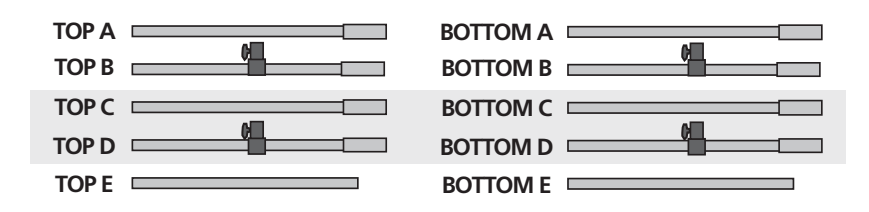
# Monster Mural Stand Set-up

- \* Stand MUST be strapped to ground stakes or heavy tie points, as shown.
- \* DO NOT just put sandbags or blocks onto the feet!
- \* Your event is responsible for the mural stand in inclement weather and winds.

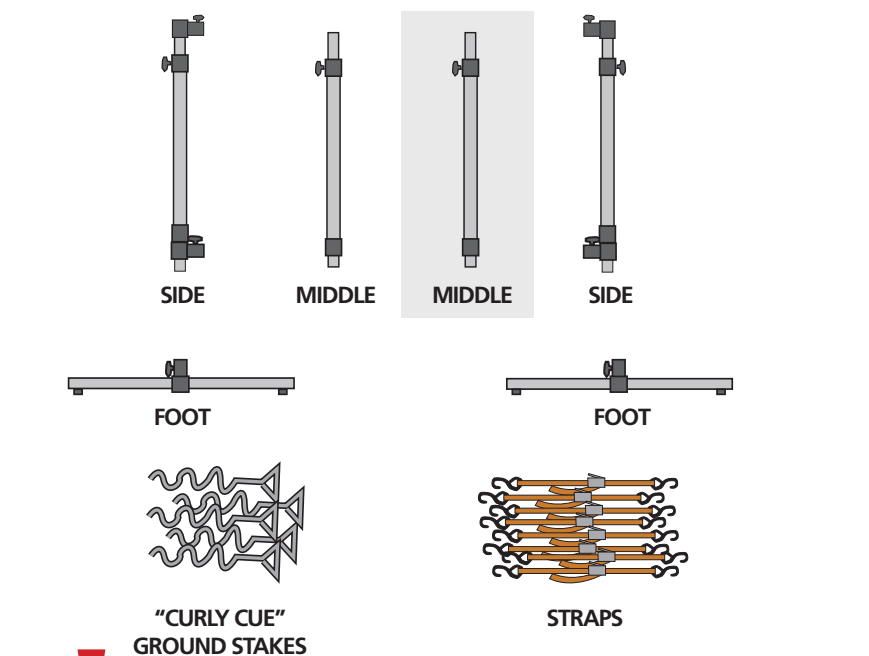
PLEASE follow the Take Down instructions. DO NOT use hex key tool to take the stand apart—just use the hand knobs.

If you want the mural to come out neat, have 4-6 focused adults monitor the painting area. (See Tarp instructions for more.)

## Inclusions

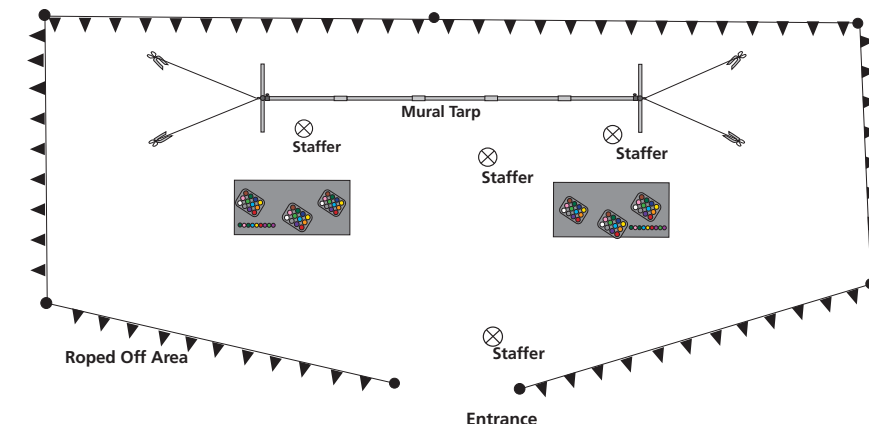


Some of these parts may be removed if you only need a 12' or 16' stand.



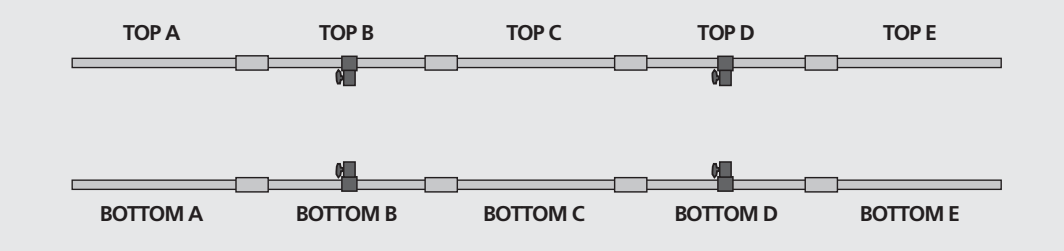
\* These stakes don't work with every soil type. If they don't work in your soil, you need to get your own appropriate stakes or heavy tie points. Again, DO NOT just put sandbags or weights on to the FEET.

## Area Setup

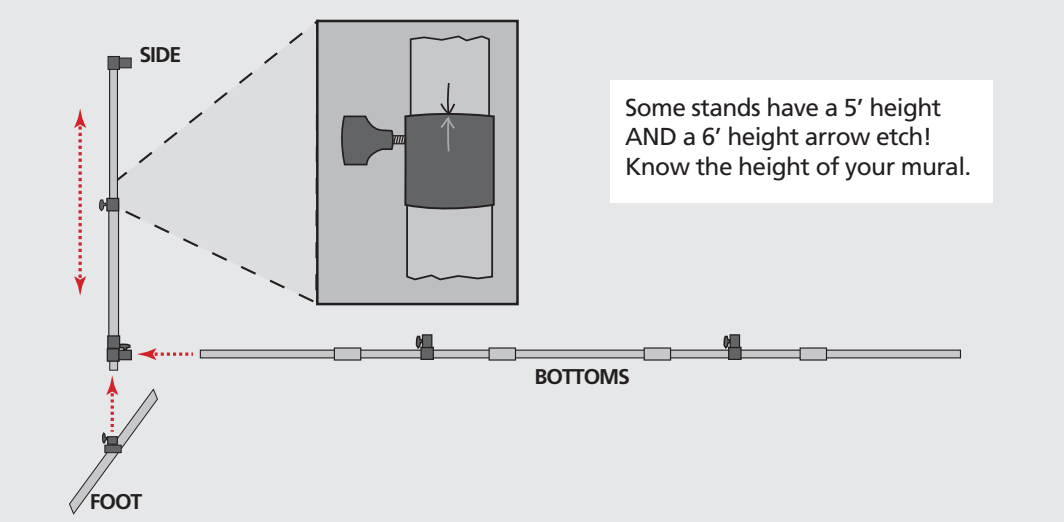


# 20' Stand Set-Up

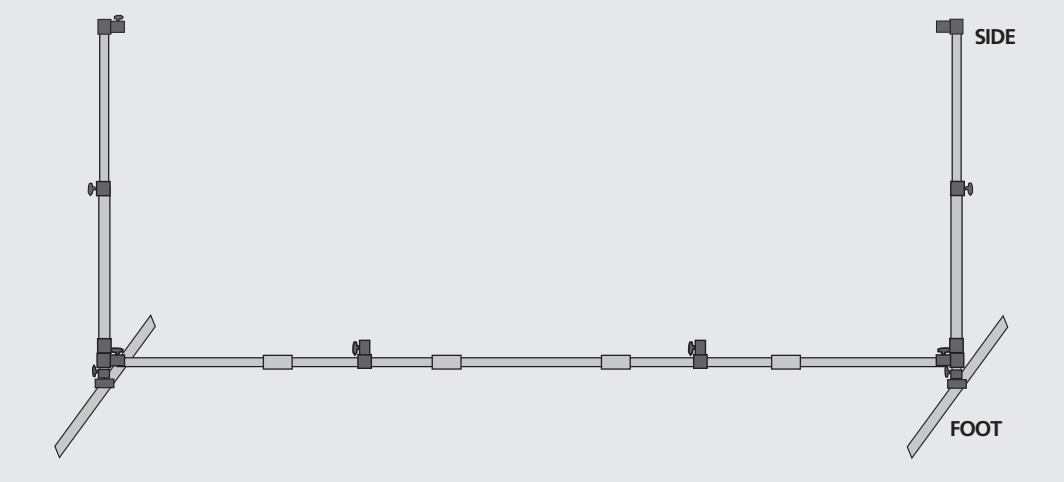
**1** Connect TOPS --- in A-B-C-D-E order. Connect BOTTOMS -- in A-B-C-D-E order. There is no C. Plastic connectors on B & D should point the same direction.



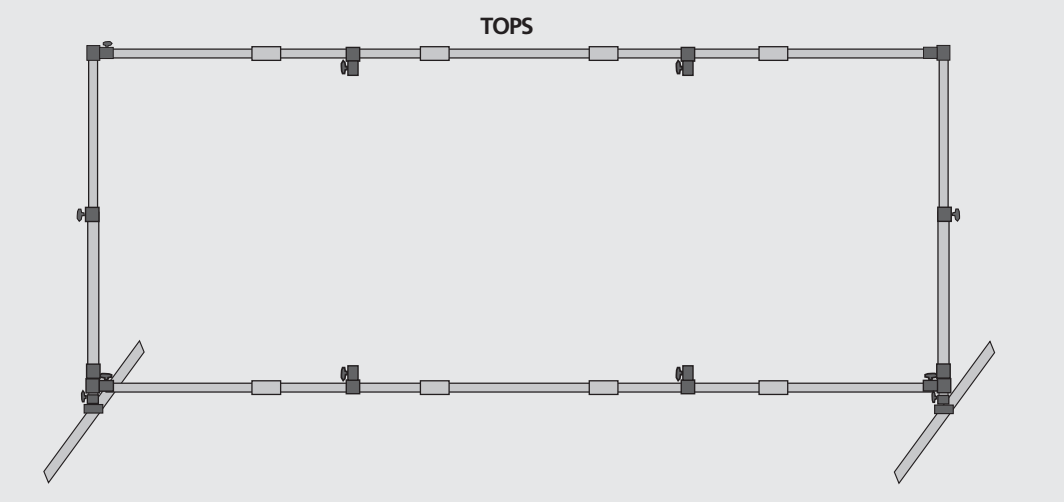
**2** Loosen knob on SIDE. Extend. Match up the arrows. Tighten knob. Connect BOTTOMS to SIDE. (Plastic connectors point up.) Connect FOOT to SIDE.



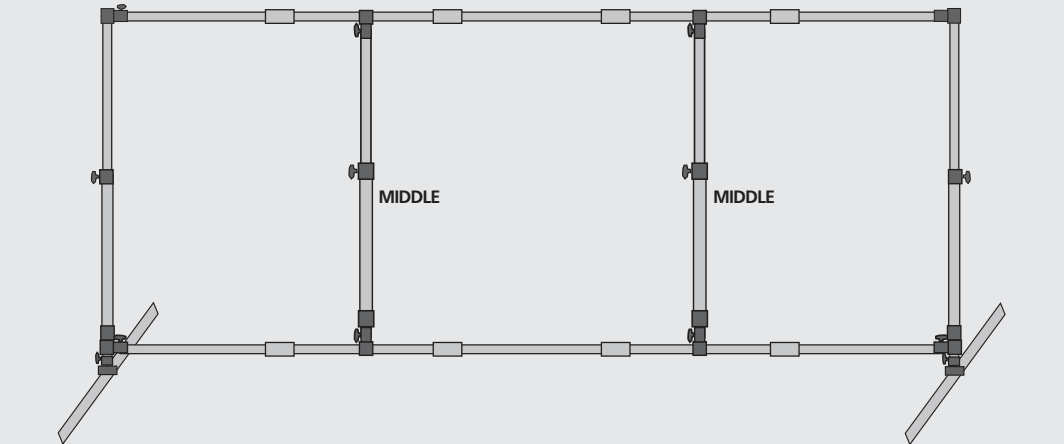
**3** Connect the other SIDE to BOTTOMS. Connect other FOOT.



**4** Connect the TOPS to the SIDES. Needs two people. \*

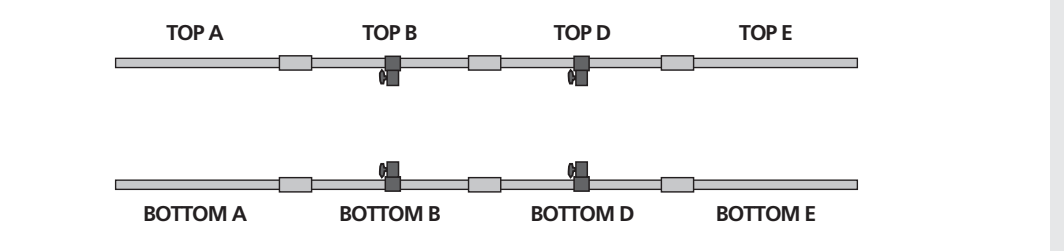


**5** Extend MIDDLES to the arrow mark. Tighten knobs. Connect MIDDLES to plastic connectors.

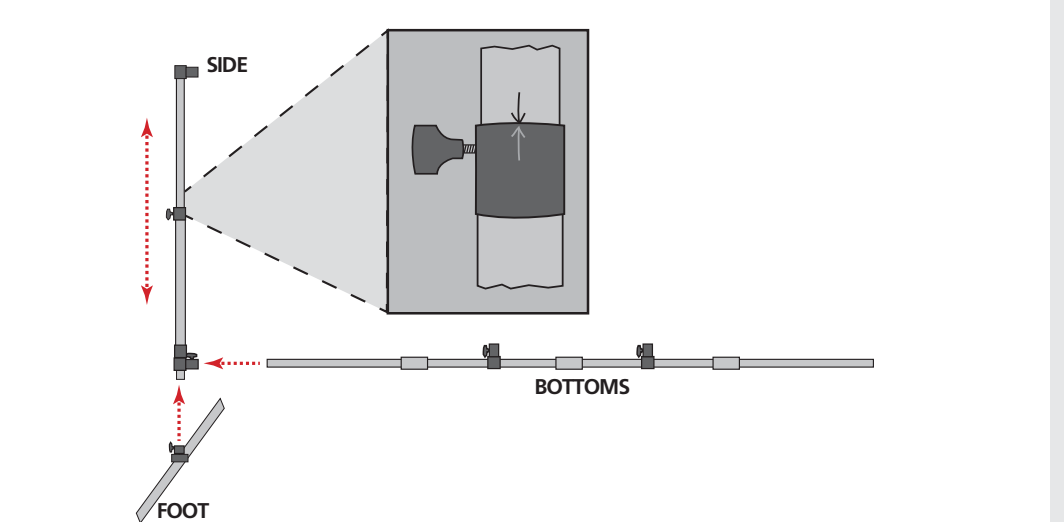


# 16' Stand Set-Up

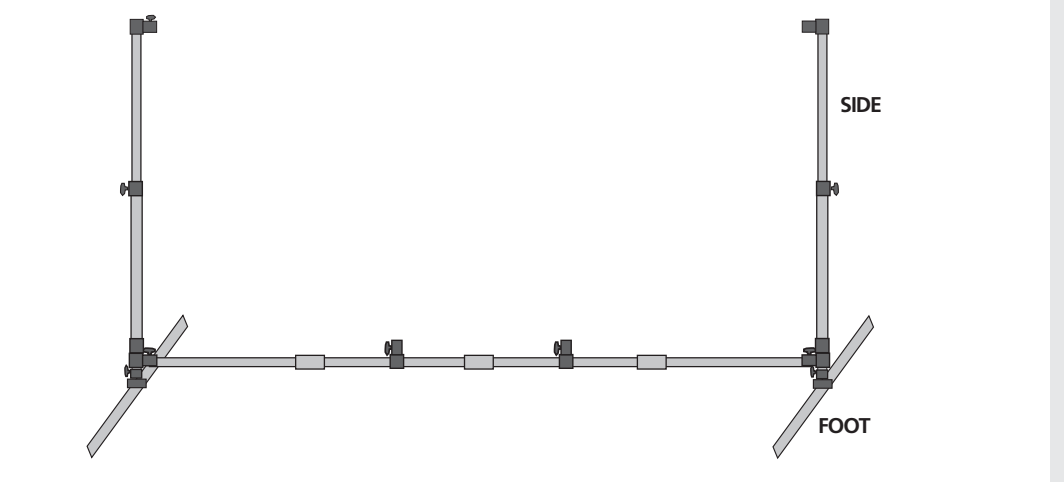
**1** Connect TOPS --- in A-B-D-E order. There is no C. Connect BOTTOMS -- in A-B-D-E order. There is no C. Plastic connectors on B & D should point the same direction.



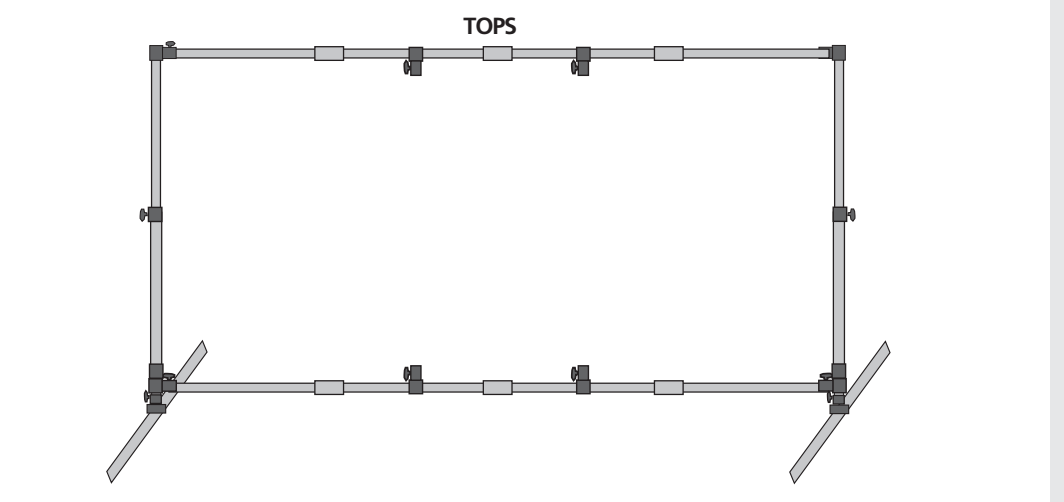
**2** Loosen knob on SIDE. Extend. Match up the arrows. Tighten knob. Connect BOTTOMS to SIDE. (Plastic connectors point up.) Connect FOOT to SIDE.



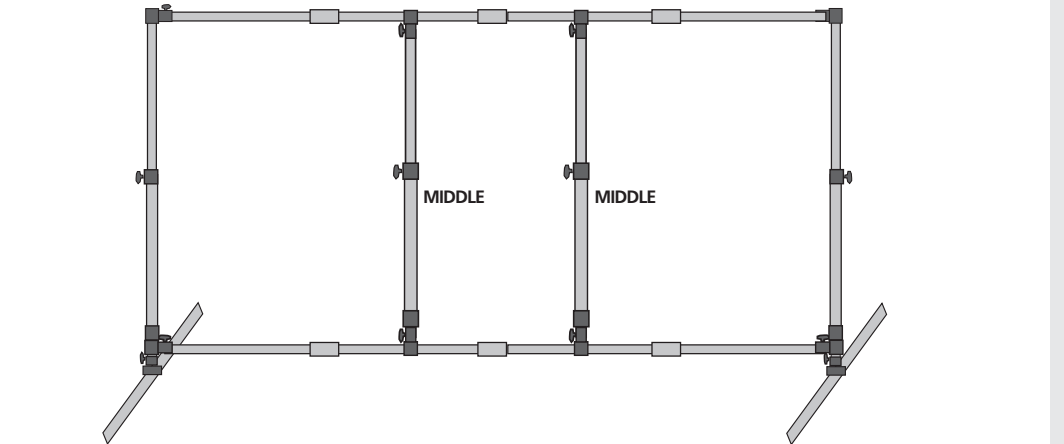
**3** Connect the other SIDE to BOTTOMS. Connect other FOOT.



**4** Connect the TOPS to the SIDES. Needs two people. \*

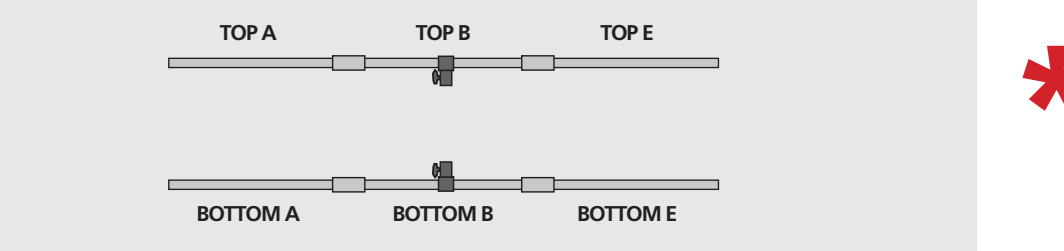


**5** Extend MIDDLES to the arrow mark. Tighten knobs. Connect MIDDLES to plastic connectors.

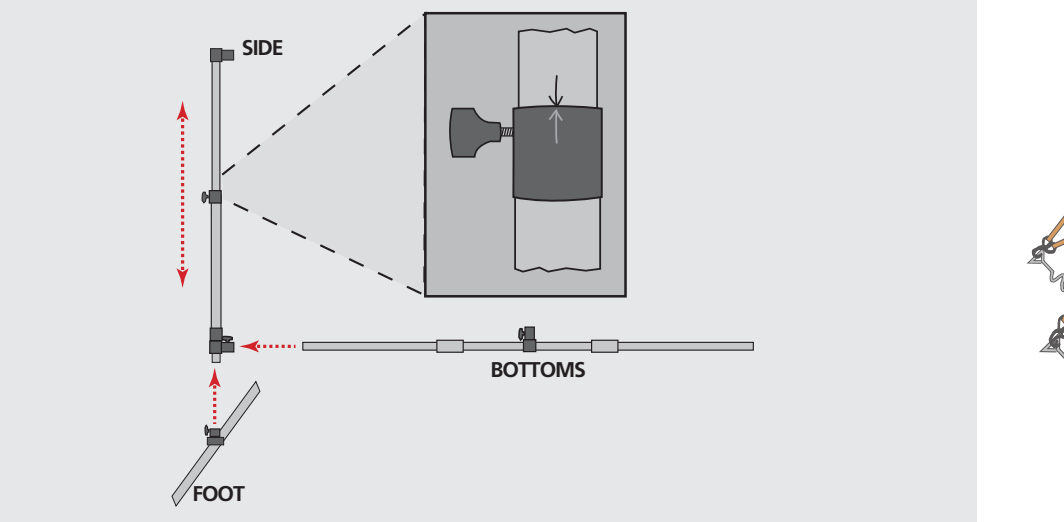


# 12' Stand Set-Up

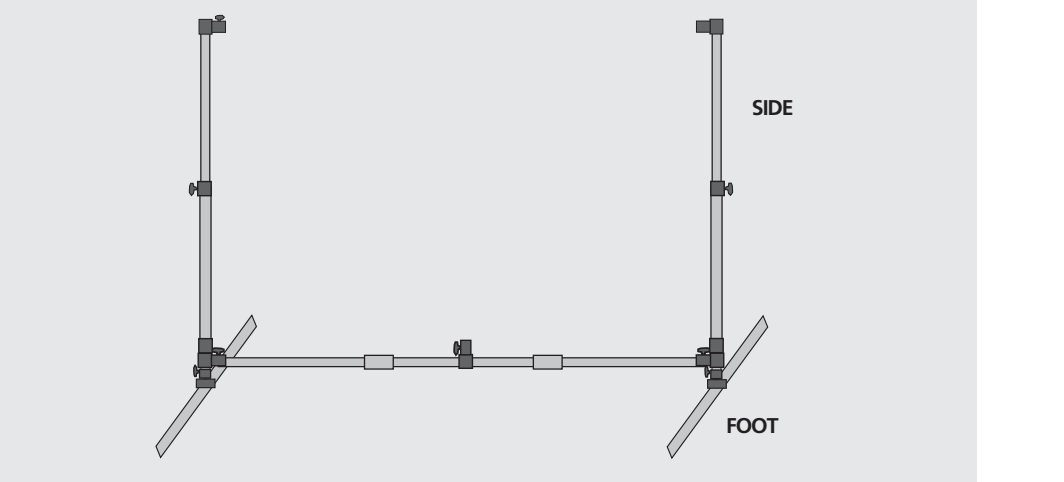
**1** Connect TOPS --- in A-B-E order. There is no C or D. Connect BOTTOMS -- in A-B-E order. There is no C or D.



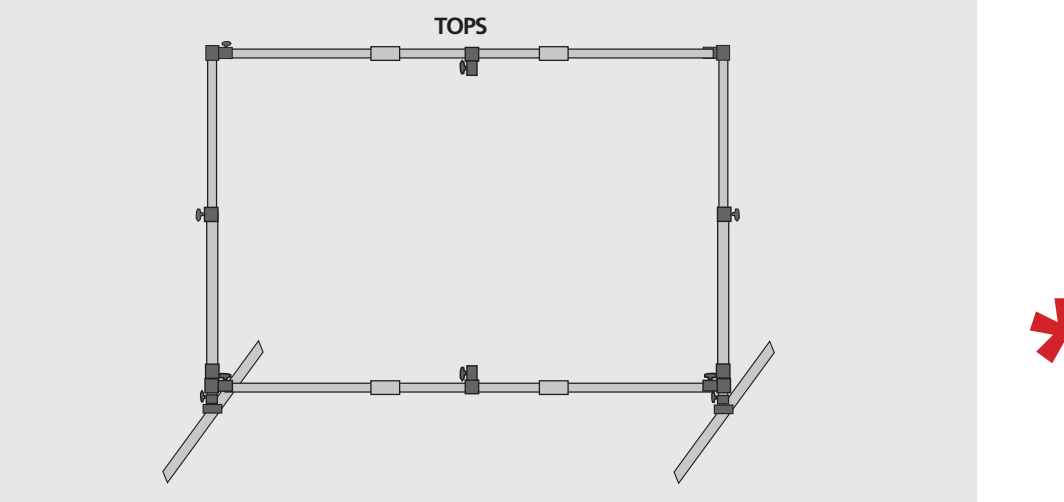
**2** Loosen knob on SIDE. Extend. Match up the arrows. Tighten knob. Connect BOTTOMS to SIDE. (Plastic connectors point up.) Connect FOOT to SIDE.



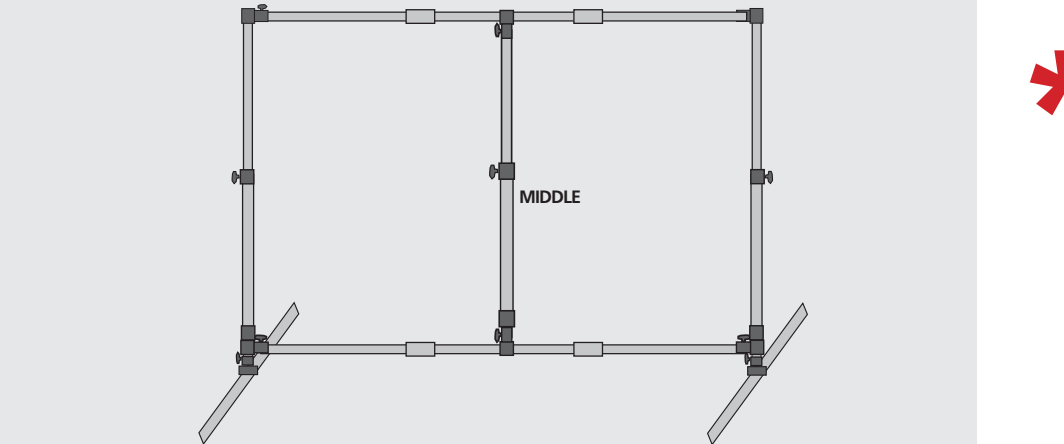
**3** Connect the other SIDE to BOTTOMS. Connect other FOOT.



**4** Connect the TOPS to the SIDES. Needs two people. \*

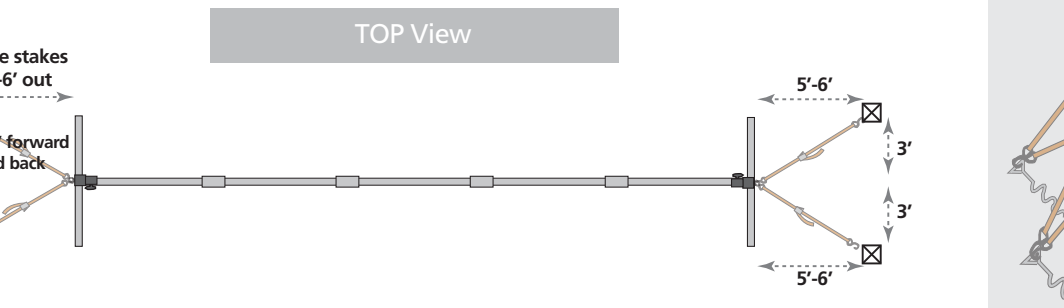
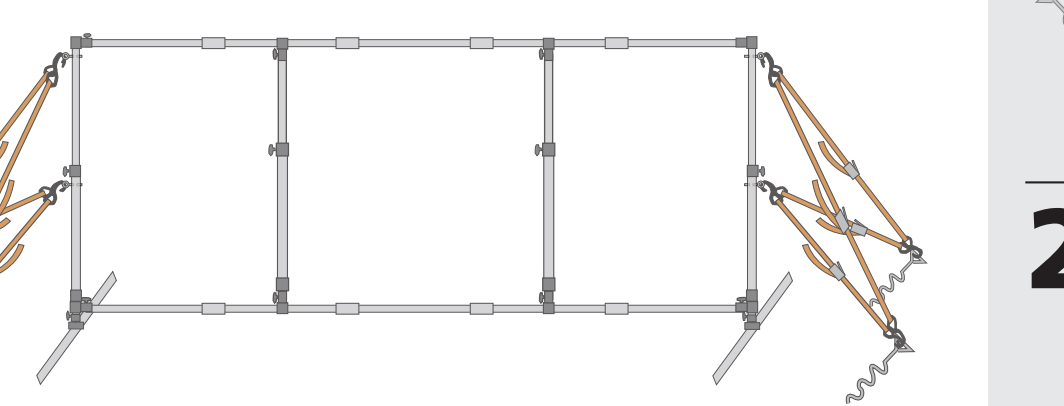


**5** Extend MIDDLE to the arrow mark. Tighten knobs. Connect MIDDLE to plastic connectors.

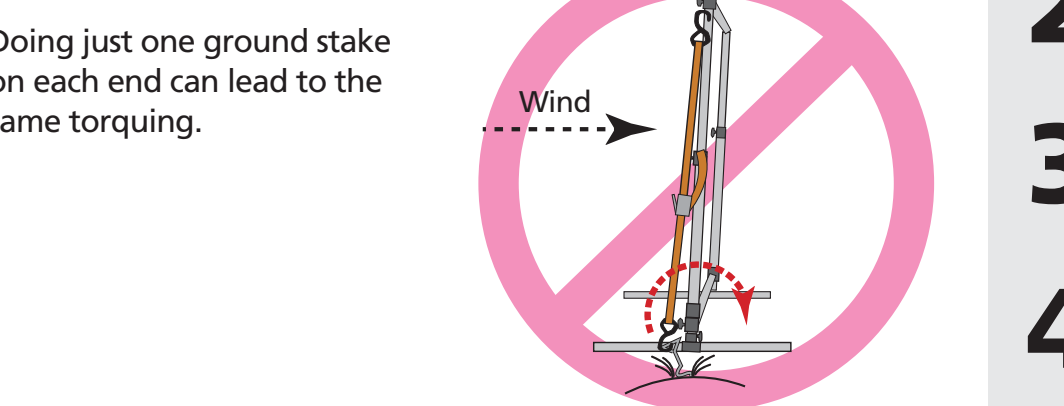
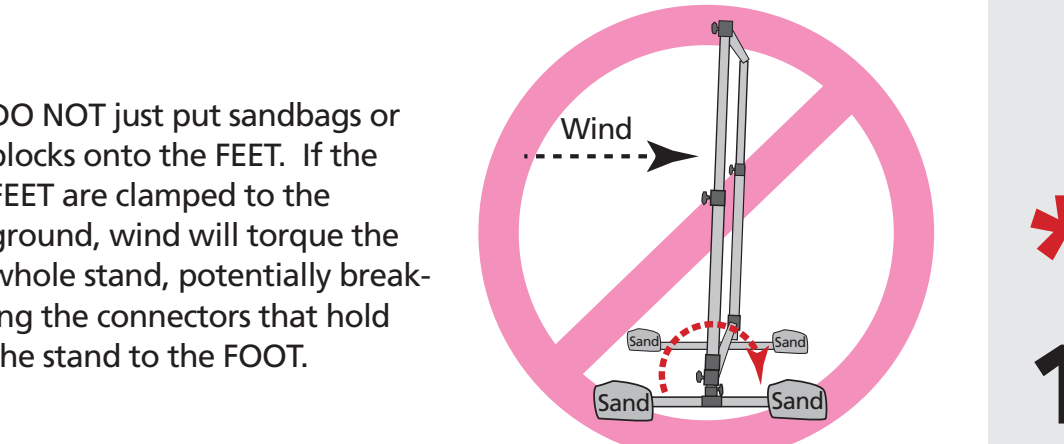


# Straps For Using Stand Outdoors

- \* To use the mural stand outdoors, you must use the straps to connect the mural stand to ground stakes (if you are on grass), or heavy tie points (if you are on hard top or some other surface where you can't use ground stakes).
- \* This set-up will work on a MODERATELY windy day. On a day with heavy wind, you must take the mural down, or move it to an area with less wind.



Using the straps as directed allows the stand to just shift a little bit in the wind.

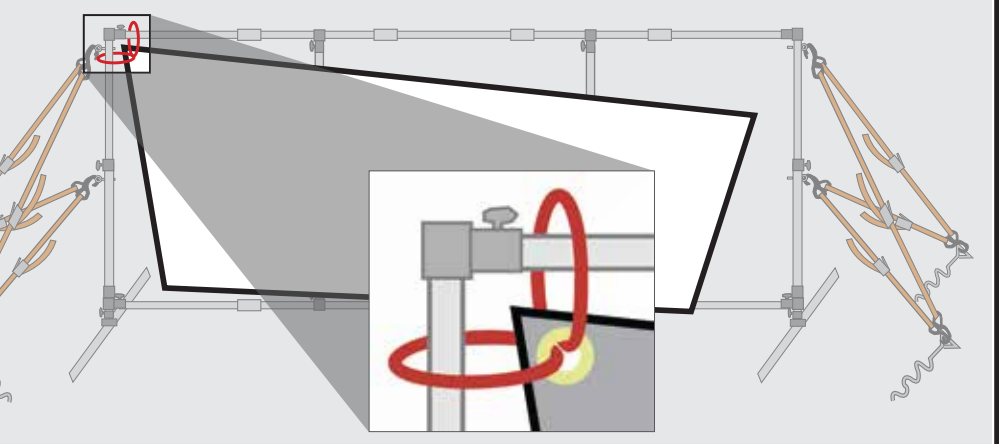


- \* DO NOT just put sandbags or blocks onto the FEET. If the FEET are clamped to the ground, wind will torque the whole stand, potentially breaking the connectors that hold the stand to the FOOT.
- \* Doing just one ground stake on each end can lead to the same torquing.

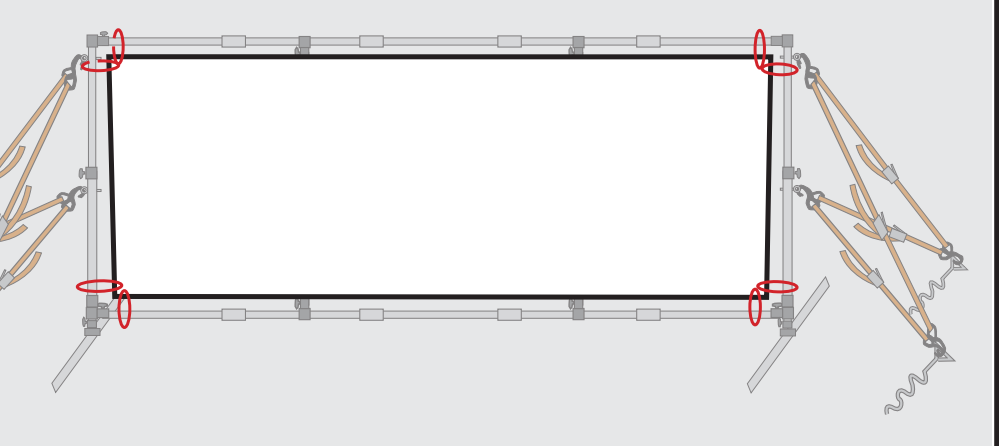
# Tarp Attachment

\* Treat the grommets VERY carefully. Don't pull zip ties too tight, as you can pull grommets through the mural material. DO NOT tighten the mural left to right! Tighten top to bottom. Use two people, especially for Step 1.

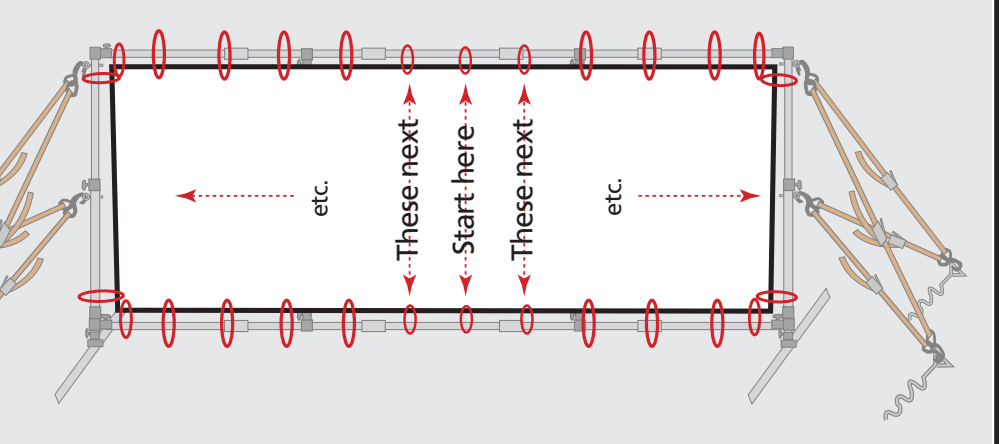
**1** Connect one of the upper corners with two of the LONGER zip ties. Needs two people. WAIT to pull them tight.



**2** Connect the other corners with the LONGER zip ties—two per corner. Needs two people. DO NOT PULL THE TIES TIGHT YET—tighten just enough to center the tarp.



**3** Connect the SHORTER zip ties LOOSELY through all the grommets. Once they're all through, pull the grommets just tight enough to get the tarp taut. Tighten starting in the middle of the tarp, then move to the ends.



# Take Down

\* PLEASE don't use a hex key to unscrew parts. Disconnect by slightly loosening the knobs.

- 1 Cut Zip Ties to remove tarp.
- 2 Return straps and curly-cue ground stakes with the stand.
- 3 Telescope down the SIDE and MIDDLE pieces—don't slide them apart.
- 4 Leave the knobs in place. Tighten them back up a little, so they stay in place during shipping.

Call us with any questions at 801-296-6644 or 801-403-7812 (anytime cell)