

Monster Mural Stand Set-up

* Stand **MUST** be strapped to ground stakes or heavy tie points, as shown.

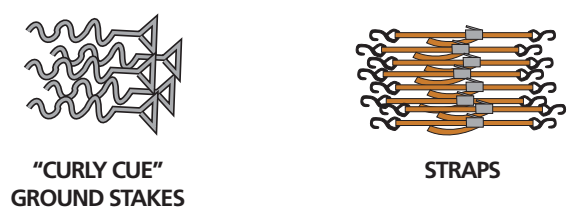
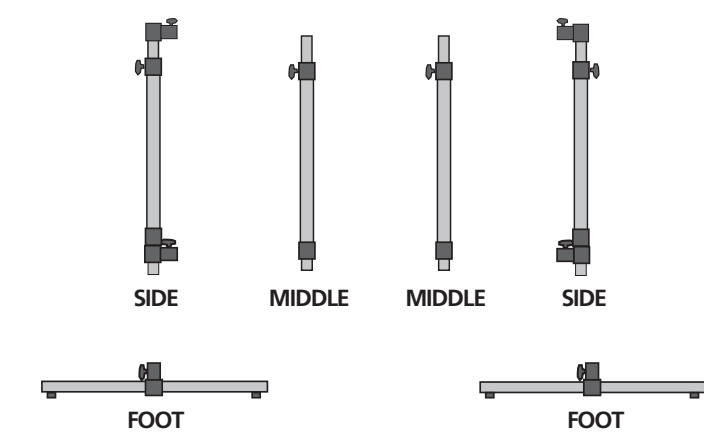
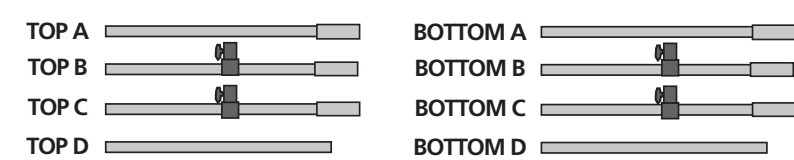
* **DO NOT** just put sandbags or blocks onto the feet!

* Your event is responsible for the mural stand in inclement weather and winds.

PLEASE follow the Take Down instructions. **DO NOT** use hex key tool to take the stand apart--just use the hand knobs.

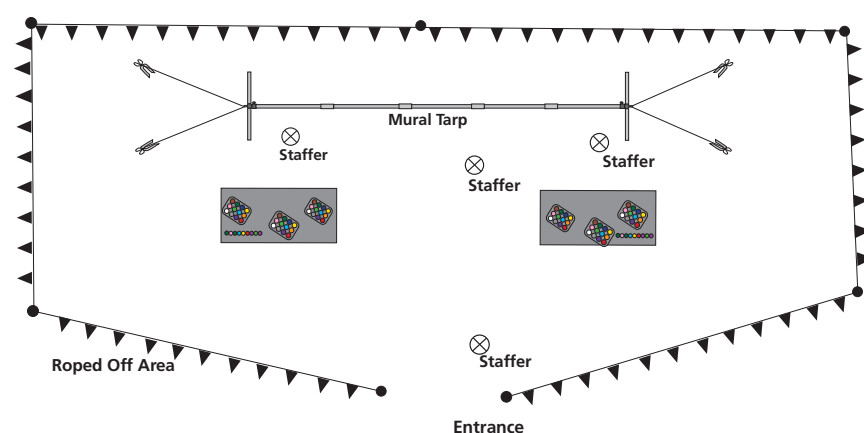
If you want the mural to come out neat, have 4-6 focused adults monitor the painting area. (See Tarp instructions for more.)

Inclusions



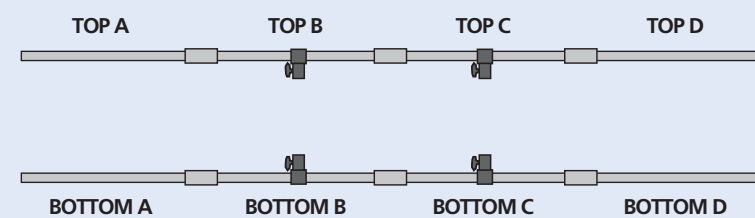
* These stakes don't work with every soil type. If they don't work in your soil, you need to get your own appropriate stakes or heavy tie points. Again, **DO NOT** just put sandbags or weights on to the FEET.

Area Setup

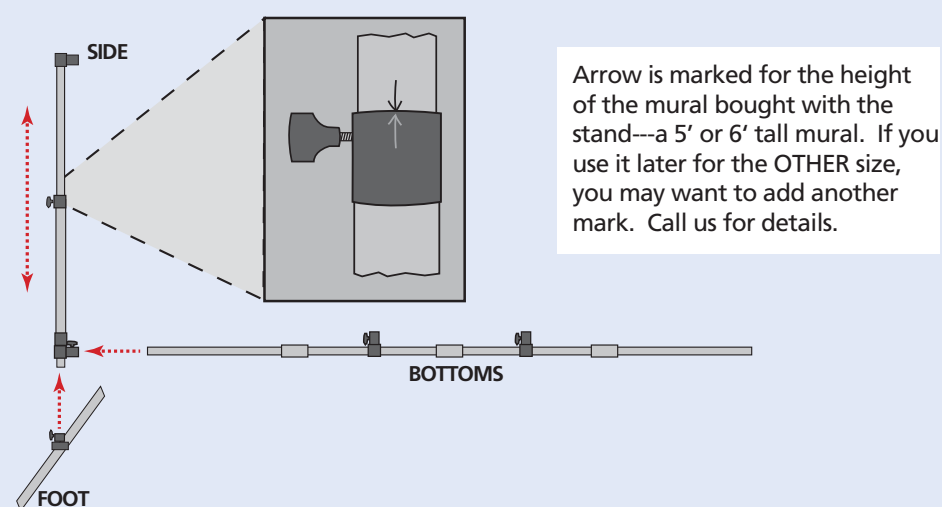


16' Stand Set-Up

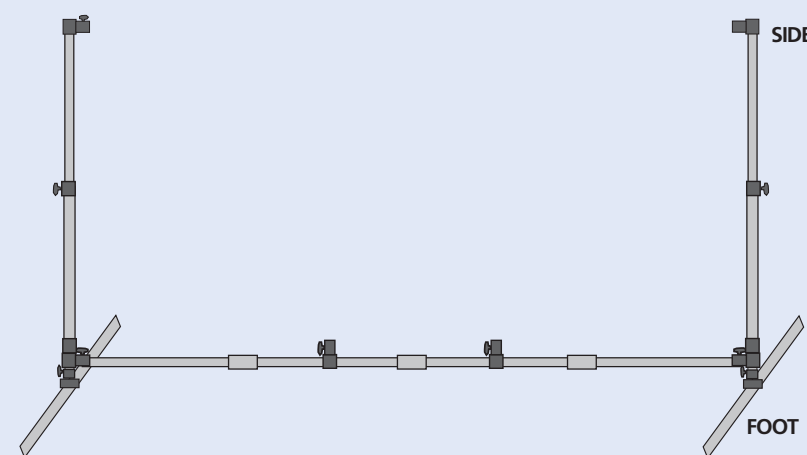
1 Connect TOPS --- in A-B-C-D order. Connect BOTTOMS -- in A-B-C-D order. Plastic connectors on B & C should point the same direction.



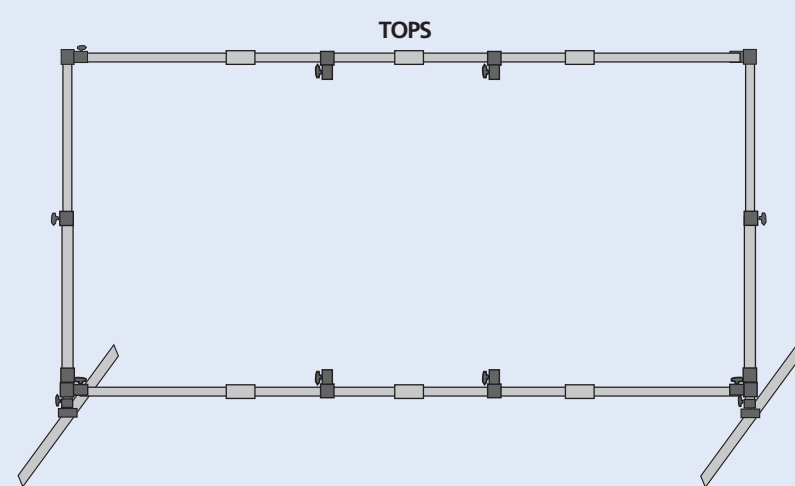
2 Loosen knob on SIDE. Extend. Match up the arrows. Tighten knob. Connect BOTTOMS to SIDE. (Plastic connectors point up.) Connect FOOT to SIDE.



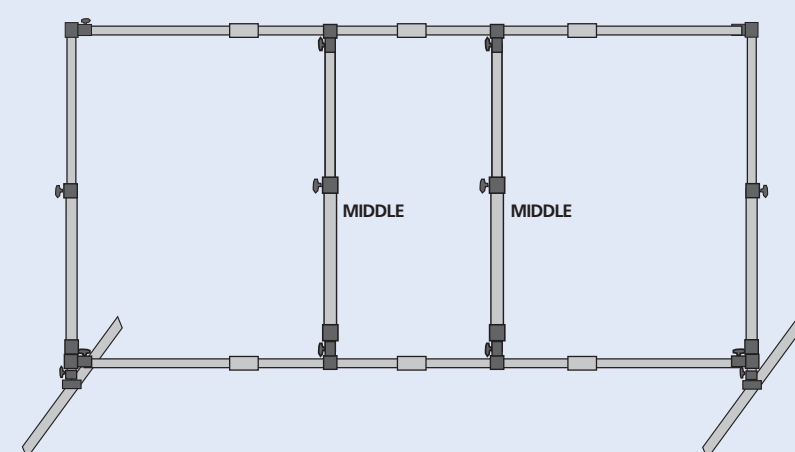
3 Connect the other SIDE to BOTTOMS. Connect other FOOT.



4 Connect the TOPS to the SIDES. Needs two people. *



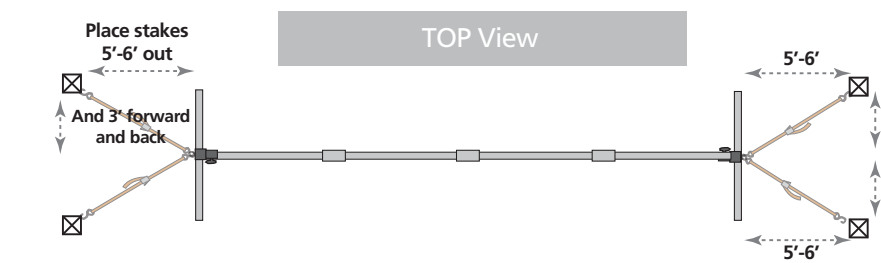
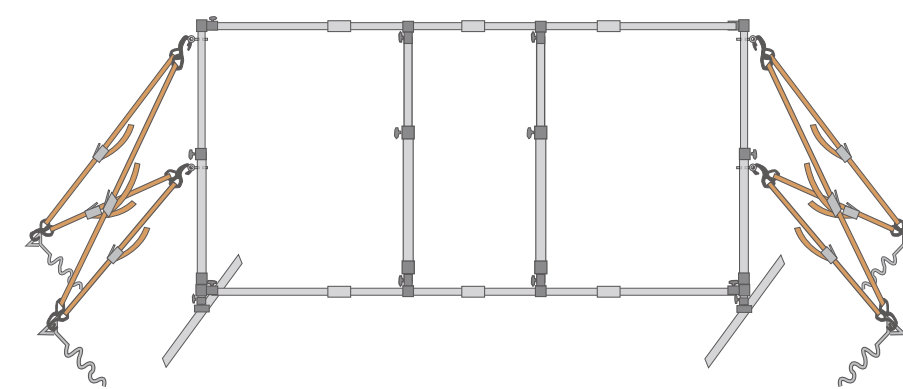
5 Extend MIDDLES to the arrow mark. Tighten knobs. Connect MIDDLES to plastic connectors.



Straps For Using Stand Outdoors

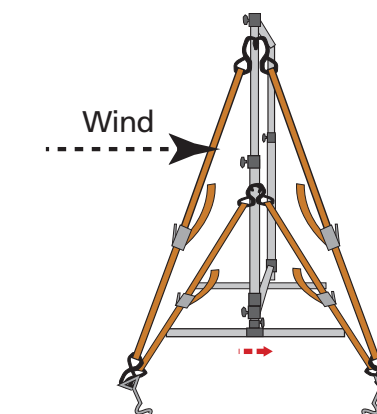
* To use the mural stand outdoors, you must use the straps to connect the mural stand to ground stakes (if you are on grass), or heavy tie points (if you are on hard top or some other surface where you can't use ground stakes).

* This set-up will work on a MODERATELY windy day. On a day with heavy wind, you must take the mural down, or move it to an area with less wind.

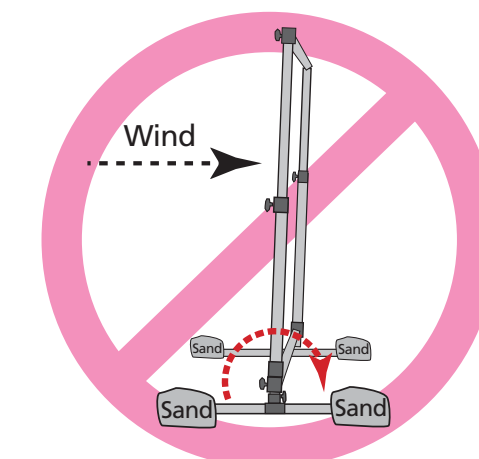


END View

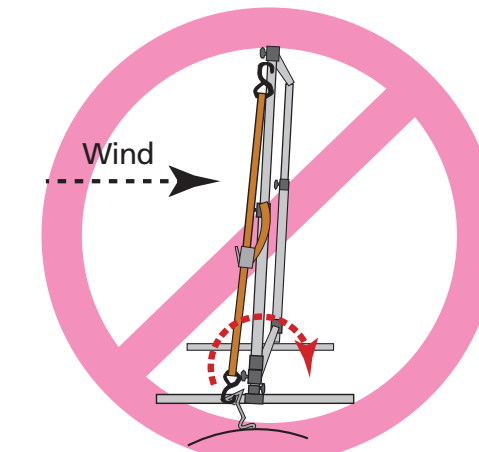
Using the straps as directed allows the stand to just shift a little bit in the wind.



* **DO NOT** just put sandbags or blocks onto the FEET. If the FEET are clamped to the ground, wind will torque the whole stand, potentially breaking the connectors that hold the stand to the FOOT.



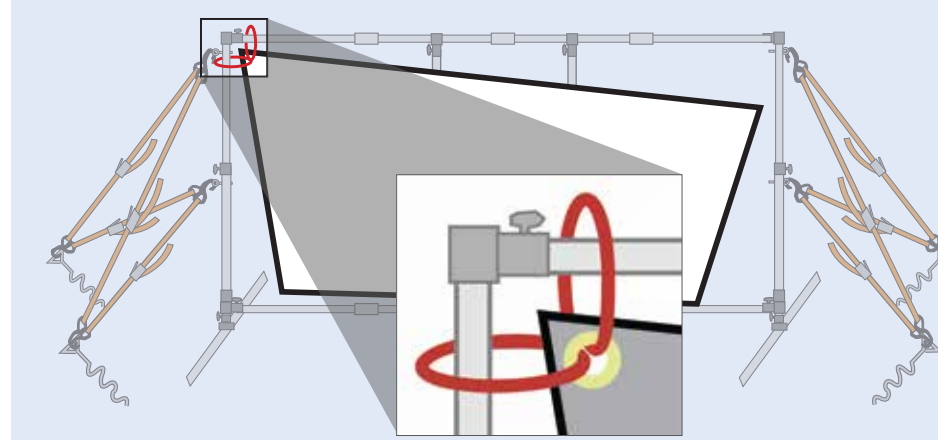
* Doing just one ground stake on each end can lead to the same torquing.



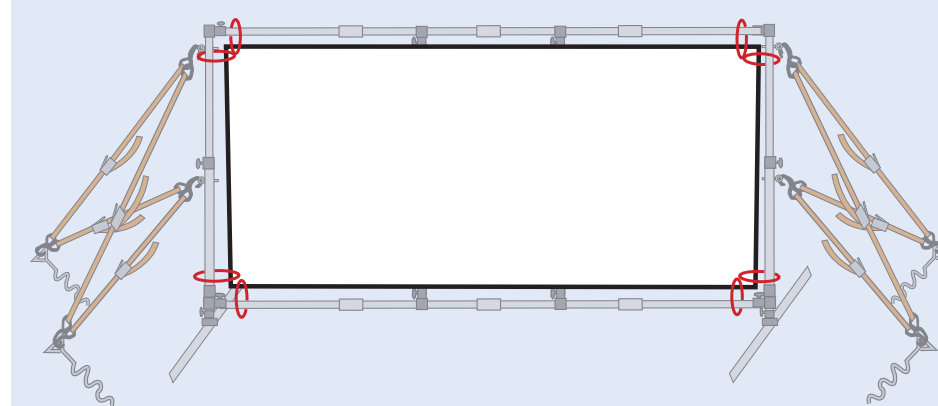
Tarp Attachment

* Treat the grommets **VERY** carefully. Don't pull zip ties too tight, as you can pull grommets through the mural material. **DO NOT** tighten the mural left to right! Tighten top to bottom. Use two people, especially for Step 1.

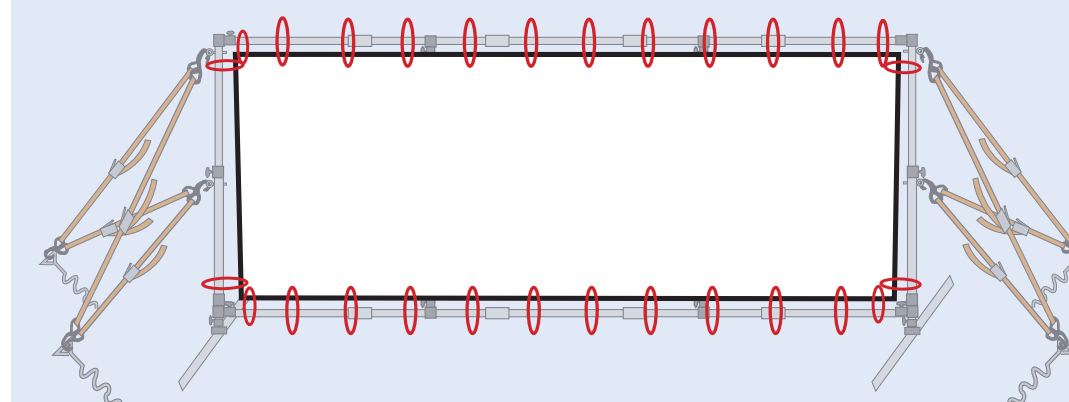
1 Connect one of the upper corners with two of the LONGER zip ties. Needs two people. **WAIT** to pull them tight.



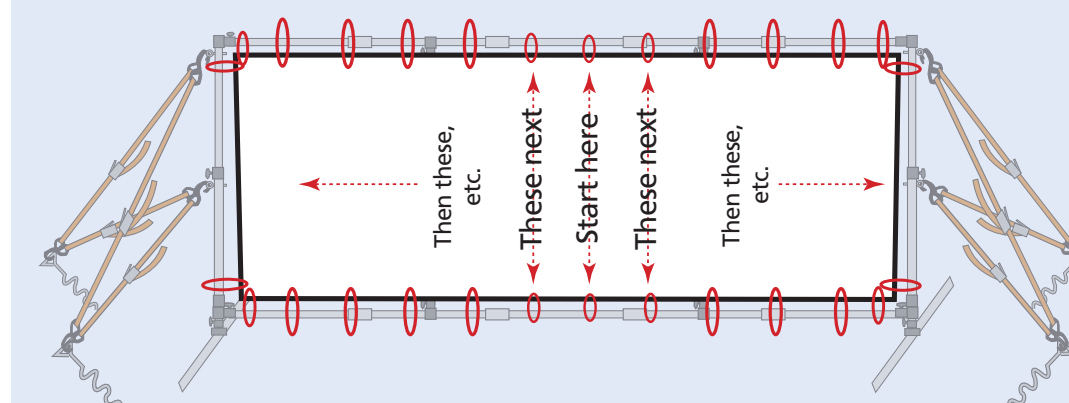
2 Connect the other corners with the LONGER zip ties--two per corner. Needs two people. **DO NOT PULL THE TIES TIGHT YET**--tighten just enough to center the tarp.



3 Connect zip ties **LOOSELY** through all the grommets. Use all the grommets!



4 Once they're all loosely connected, pull the zip ties just tight enough to get the tarp taut. Start tightening in the middle of the tarp, then move to the ends.



Mural Care Notes

* Treat the mural like it's fragile.

Have a second or third person help when mounting mural onto stand.

Don't pull too tightly on the grommets-- especially the corner grommets.

Use zip ties in **ALL** the grommets, so single grommets don't get too much force.

Gently tighten the mural top-to-bottom-- just enough to get the mural taut enough to color/paint on.

* **DO NOT** tighten the mural left-to-right!

DO NOT under any circumstance hang the mural between two vertical poles, like between tent posts. The mural is designed to be mounted between two horizontal poles, or else hung on a flat/wall surface.

Use only water and sponge to clean the Rollable Wipeable Plastic murals. **OR** you can use a garden-type hose with sprayer. But **DO NOT** use a pressure washer.

Take Down

1 **DON'T** use a hex key to unscrew parts. Disconnect parts by slightly loosening the hand knobs.

2 Cut Zip Ties to remove tarp.

3 Return straps and curly-cue ground stakes to the stand bag.

4 Telescope the SIDE and MIDDLE pieces back together-- don't slide them apart.

5 Leave the knobs in place. Don't completely unscrew them.

6 Get the plastic "T" joints back to where they were, and tighten knobs so the T's are in place for the next user.

Refurbishment

If your stand has gotten a little disheveled over time, we have a webpage to show you how to refurbish it. Click the "Stand Refurbishment Instructions" link at the bottom of www.monstermural.com.

Call us with any questions at 801-296-6644 or 801-403-7812 (anytime cell)